

PoE
solutions

access & power
integration

long range
ethernet

NEW IP & POWER SOLUTIONS

IP / power
transmission

ethernet
over
COAX



Altronix®

fiber
solutions

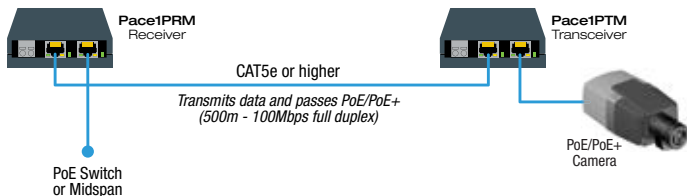
Q4 / 2017

**Extend Ethernet range 5x the distance
- without repeaters.**

Features:

- Deploy IP cameras/edge devices up to 500m over CAT5e/6.
- Passes PoE/PoE+ generated from midspan/endspan.
- Data rate 100Mbps full duplex.
- Supports PoE (802.3af) and PoE+ (802.3at) devices.
- Receivers available with 1, 4, 8 or 16 ports.
- UL Listed in the U.S. and Canada, CE Approved.

Pace1PRMT CAT5e Application:



Long Range Ethernet Adapters



Pace1PRMT (kit)

- Single port adapter kit includes a Pace1PRM Receiver and a Pace1PTM Transceiver. Also supports single UTP up to 150m.

Pace1STR (kit)

- Single port adapter kit includes a Pace1PRM Receiver and a Pace1ST Mini Transceiver.

Receivers:

Pace1PRM

- Single port Receiver.

Pace4PRM

- Four (4) port Receiver.

Pace8PRM

- Eight (8) port Receiver.

Pace16PRM

- Sixteen (16) port Receiver.

Compatible Transceivers:

Pace1PTM

- Single port hardened Transceiver.
- Also supports single UTP up to 150m.

Pace1ST

- Single port hardened mini-Transceiver.
- More compact design for tighter spaces.



Managed Ethernet over Coax PoE Switch **- up to 500m at 25Mbps.**

Features:

- Deploy IP cameras/edge devices up to 500m over coax without repeaters.
- Generates PoE/PoE+ up the coax to an eBridge transceiver.
- Eliminates the costs and labor associated with installing new network cabling.
- Control, monitor and report power/diagnostics from anywhere over the network.
- Built-in battery charging
(RE2 - optional rack mount battery enclosure)
- 115VAC/230VAC input.
- Compact 1U EIA 19" rack mount chassis.
- UL Listed in the U.S. and Canada, CE Approved.



8-Port EoC Receiver **with Integral PoE Switch**

eBridge8E

- Eight (8) 25Mbps coax ports
- One (1) Gigabit Uplink
- 30W full power per port (240W of total power)

Compatible Transceivers:

eBridge1PCTX

- Single port hardened Transceiver.
Dimensions: 2.5"W x 3.8"D x 1"H



eBridge1ST

- Single port hardened mini-Transceiver.
Dimensions: 2.27"W x 2.645"D x 1.12"H



Managed Ethernet over Coax PoE Switch - up to 300m at 100Mbps.

Features:

- Deploy IP cameras/edge devices up to 300m over coax without repeaters.
- Generates PoE/PoE+ up the coax to an eBridge transceiver.
- Eliminates the costs and labor associated with installing new network cabling.
- Control, monitor and report power/diagnostics from anywhere over the network.
- Built-in battery charging
(RE2 - optional rack mount battery enclosure)
- 115VAC/230VAC input.
- Compact 1U EIA 19" rack mount chassis.
- UL Listed in the U.S. and Canada, CE Approved.



8-Port EoC Receiver with Integral PoE Switch

eBridge800E

- Eight (8) 100Mbps coax ports
- Two (2) Gigabit Uplinks
- 30W full power per port (240W of total power)

Compatible Transceivers:

eBridge100TM

- Single port hardened Transceiver.
Dimensions: 2.5"W x 3.8"D x 1"H



eBridge100ST

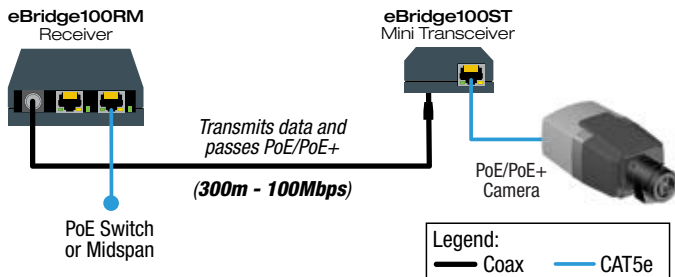
- Single port hardened mini-Transceiver.
- More compact design for tighter spaces
Dimensions: 2.27"W x 2.645"D x 1.12"H



Ethernet over Coax up to 300m at 100Mbps.

Features:

- Deploy IP cameras/edge devices up to 300m over coax without repeaters.
- Cost-effective solution to upgrade and expand security and surveillance utilizing coax.
- Data rate 100Mbps full duplex.
- Passes PoE/PoE+ generated from midspan/endspan.
- Supports PoE (802.3af) and PoE+ (802.3at) devices.
- Receivers available with 1, 4, 8 or 16 ports.
- UL Listed in the U.S. and Canada, CE Approved.



EoC Adapters



eBridge100STR (kit)

- Single port adapter kit includes an eBridge100RM Receiver and an eBridge100ST compact Transceiver.

Receivers:

eBridge100RM

- Single port Receiver.

eBridge400PCRM

- Four (4) port Receiver.

eBridge800PCRM

- Eight (8) port Receiver.

eBridge1600PCRM

- Sixteen (16) port Receiver.

Compatible Transceivers:

eBridge100TM

- Single port hardened Transceiver.
- Also supports CAT5e up to 500m.
- Dimensions: 2.5"W x 3.8"D x 1"H

eBridge100ST

- Single port hardened mini-Transceiver.
- More compact design for tighter spaces.
- Dimensions: 2.27"W x 2.645"D x 1.12"H



Netway PoE solutions

Managed Midspans with more bandwidth & more power.

Features:

- Supports PoE (802.3af) and PoE+ (802.3at) devices up to 100m over CAT5e/6.
- Control, monitor and report power/diagnostics from anywhere over the network.
- Built-in battery charging (*RE2 - optional rack mount battery enclosure*)
- 115VAC/230VAC input.
- Compact 1U EIA 19" rack mount chassis.
- UL Listed in the U.S. and Canada, CE Approved.



Managed Midspans

NetWay8G

- Supports up to eight (8) PoE/PoE+ cameras/devices.
- 10/100/1000 Ethernet ports
- 30W full power per port (240W of total power)

Netway PoE solutions

8-Port Endspan with LINQ power management

Features:

- Supports PoE (802.3af) and PoE+ (802.3at) devices up to 100m over CAT5e/6.
- Control, monitor and report power/diagnostics from anywhere over the network.
- Built-in battery charging (*RE2 - optional rack mount battery enclosure*).
- 115VAC/230VAC input.
- Compact 1U EIA 19" rack mount chassis.
- UL Listed in the U.S. and Canada, CE Approved.

Embedded
LINQ
TECHNOLOGY

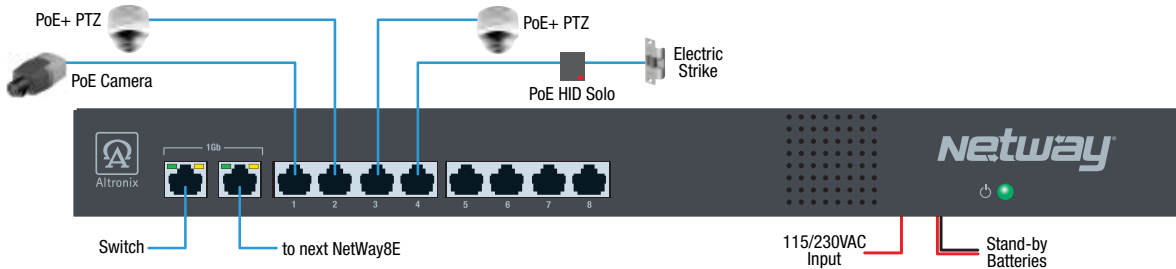


Managed Endspans

NetWay8E

- Supports up to eight (8) PoE/PoE+ cameras/devices.
- 10/100/1000 Ethernet ports
- Two (2) Gigabit Uplinks
- 30W full power per port (240W of total power)

TYPICAL APPLICATION:



Legend:
— CAT5e

Compact Solutions to Convert Ethernet to Fiber...

Features:

- Converts Ethernet (10/100/1000Mbps) to Fiber
- Power LED and Link connection indicators.
- UL Listed in the U.S. and Canada, CE Approved.

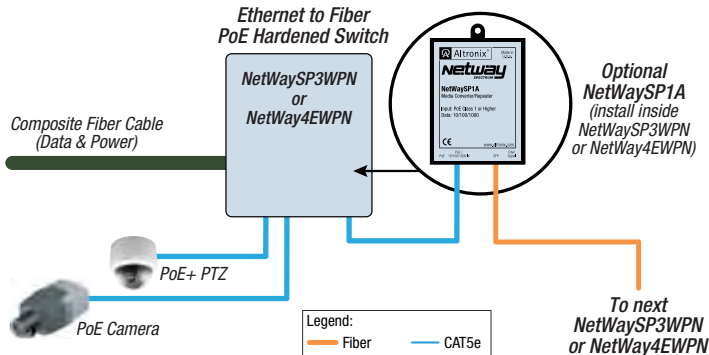


Single Port Ethernet to Fiber Media Converter/Repeater

NetWaySP1A

- One (1) Gigabit SFP port and one (1) Ethernet port.
- Input: PoE IEEE 802.3af compliant (power: 2W input)
 - *no external power supply required.*
- Easily connects to Ethernet port on PoE Switches for additional SFP Port.

TYPICAL APPLICATION:



Multi-Port Ethernet to Fiber Media Converter/Repeaters

NetWaySP8A

- Eight (8) Gigabit SFP ports and eight (8) Ethernet ports.
- 115/230VAC input

NetWaySP16A

- Sixteen (16) Gigabit SFP ports and sixteen (16) Ethernet ports.
- 115/230VAC input

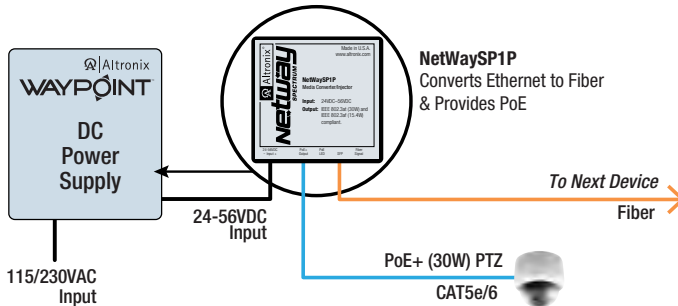


Deploy a single IP device utilizing DC power anywhere

Features:

- Input: 24VDC-56VDC.
- Converts Ethernet to Fiber and provides PoE.
- PoE power LED and Link connection indicators.
- UL Listed in the U.S. and Canada, CE Approved.

TYPICAL APPLICATION:



Single Port Ethernet to Fiber Media Converter/Injector

NetWaySP1P

- Converts Ethernet (10/100/1000Mbps) to Fiber
- One (1) Gigabit SFP port and one (1) Ethernet port.
- 30W max.
- 24VDC to 56VDC power input.

SFP Modules

P1MM

- Hot-pluggable SFP Module to be used with multi-mode fiber.
- Spans distances up to 550m (1804 ft.)
- Data rate: 1.25Gbps
- Connector type: LC Duplex



P1SM10

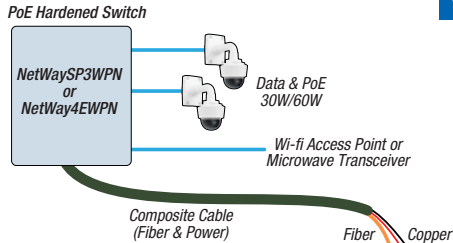
- Hot-pluggable SFP Module to be used with single-mode fiber.
- Spans distances up to 10,000m (32,800 ft.)
- Data rate: 1.25Gbps
- Connector type: LC Duplex

Rack Mount Fiber Media Converters

Features:

- Port status LED indicators.
- Compact 1U EIA 19" rack mount chassis.
- Units can be rack, shelf or wall mounted.
- UL Listed in the U.S. and Canada, CE Approved.

TYPICAL APPLICATION:



4-Port Ethernet to Fiber Media Converter



NetWaySP4

- Four (4) Gigabit SFP ports (uplink).
- Power input terminals support 48-56VDC up to 120W or ethernet port (PoE, PoE+ or Hi-PoE 60W).

4-Port Ethernet to Fiber Media Converter with Built-in Power Supply/Charger

NetWaySP4P

- 120W max per output (240W total).
- Four (4) Gigabit SFP ports (uplink).
- Built-in battery charger
(RE2 - optional rack mount battery enclosure).
- AC power LED indicator.
- 115VAC/230VAC input.

NetWaySP4P2

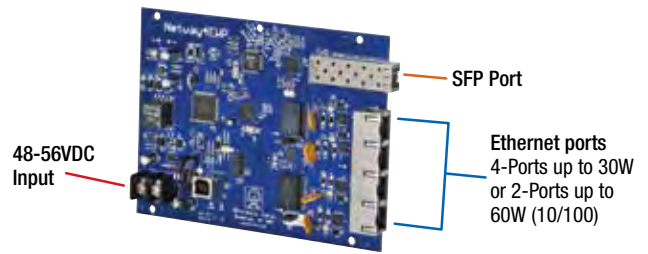
- NetWaySP4P with Class 2 power-limited outputs 60W max per output (240W total).

Hardened PoE Switches (Boards)

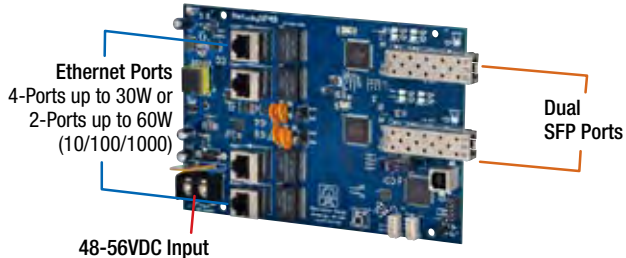
NetWaySP3B - Hardened PoE Switch



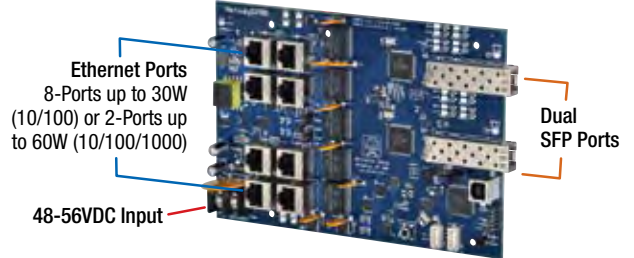
NetWay4EB - Hardened PoE Switch



NetWaySP4B - Hardened PoE Switch



NetWaySP8B - Hardened PoE Switch



4-Port Managed PoE / SFP (Fiber) Hardened Switches

Features:

- One (1) Gigabit SFP port (uplink).
- Four (4) PoE/PoE+ (up to 30W) or two (2) Hi-PoE (60W) (10/100 ports).
- Supports PoE (802.3af), PoE+ (802.3at) and Hi-PoE devices.
- Input: 48-56VDC.
- Units can be deployed with single or multi-mode fiber or composite cable which combines fiber with copper to simultaneously deliver power and data.



- Control, monitor and report power/diagnostics from anywhere over the network.

Units with Power Supply/Charger:

- 115VAC/230VAC input.
- 120W max output.
- Built-in battery charger.
- Integral surge protection.
- UL Listed in the U.S. and Canada, CE Approved.



Model #	Product Configuration	Dimensions
NetWay4EB	Ethernet to Fiber Hardened PoE 4-Port Switch (board only)	5.6"L x 4.5"W x 0.625"H
NetWay4EPL	Backplane includes NetWay4EB and power supply/charger	10.75"H x 8.875"W x 2.375"D
NetWay4EWP	Outdoor NEMA4/4X Rated Enclosure includes NetWay4EB	13.31"H x 11.31"W x 5.59"D
NetWay4EWPX	Larger outdoor NEMA4/4X Rated Enclosure includes NetWay4EB and power supply/charger accommodates four (4) 12VDC/4AH batteries (48V of backup).	17.375"H x 12"W x 6.5"D
NetWay4EX	Indoor NEMA1 Rated Enclosure includes NetWay4EB and power supply/charger	13.5"H x 13"W x 3.25"D

3-Port Managed PoE / SFP (Fiber) Hardened Switches

Features:

- One (1) Gigabit SFP port (uplink).
- Two (2) ports up to 60W and 1 port up to 30W (10/100/1000 each).
- Supports PoE (802.3af), PoE+ (802.3at) and Hi-PoE devices.
- Input: 48-56VDC.
- Units can be deployed with single or multi-mode fiber or composite cable which combines fiber with copper to simultaneously deliver power and data.



- Control, monitor and report power/diagnostics from anywhere over the network.



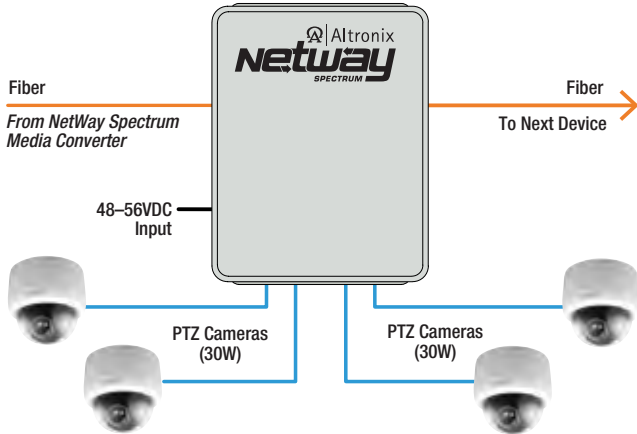
Units with Power Supply/Charger:

- 115VAC/230VAC input.
- 120W max output.
- Built-in battery charger.
- Integral surge protection.
- UL Listed in the U.S. and Canada, CE Approved.

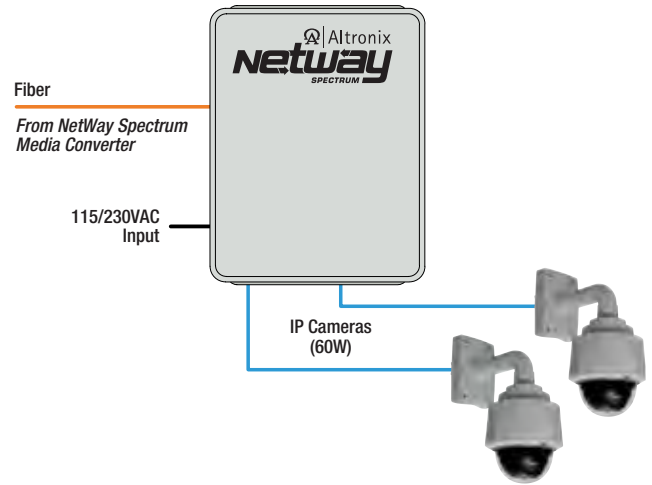
Model #	Product Configuration	Dimensions
NetWaySP3B	Ethernet to Fiber Hardened PoE 3-Port Switch (board only)	5.6"L x 4.5"W x 0.625"H
NetWaySP3PL	Backplane includes NetWaySP3B and power supply/charger	10.75"H x 8.875"W x 2.375"D
NetWaySP3WPN	Outdoor NEMA4/4X Rated Enclosure includes NetWaySP3B	13.31"H x 11.31"W x 5.59"D
NetWaySP3WP	Outdoor NEMA4/4X Rated Enclosure includes NetWaySP3PL	13.31"H x 11.31"W x 5.59"D
NetWaySP3WPX	Larger outdoor NEMA4/4X Rated Enclosure includes NetWaySP3B and power supply/charger accommodates four (4) 12VDC/4AH batteries (48V of backup).	17.375"H x 12"W x 6.5"D
NetWaySP3X	Indoor NEMA1 Rated Enclosure includes NetWaySP3B and power supply/charger	13.5"H x 13"W x 3.25"D

NETWAY SPECTRUM TYPICAL APPLICATIONS:

*NetWaySP4WPN
Dual SFP Application*



*NetWaySP3WP
Single SFP / Hi-PoE Application*



4-Port Managed PoE Hardened Switches with Dual SFP (Fiber) Ports

Features:

- Two (2) Gigabit SFP ports (uplink).
- Four (4) ports up to 30W or two (2) ports up to 60W (10/100/1000 each).
- Supports PoE (802.3af), PoE+ (802.3at) and Hi-PoE devices.
- Input: 48-56VDC.
- Units can be deployed with single or multi-mode fiber or composite cable which combines fiber with copper to simultaneously deliver power and data.



- Control, monitor and report power/diagnostics from anywhere over the network.

Units with Power Supply/Charger:

- 115VAC/230VAC input.
- 120W max output.
- Built-in battery charger.
- Integral surge protection.
- UL Listed in the U.S. and Canada, CE Approved.



Model #	Product Configuration	Dimensions
NetWaySP4B	Ethernet to Fiber Hardened PoE 4-Port Switch (board only)	5.6"L x 4.5"W x 0.625"H
NetWaySP4PL	Backplane includes NetWaySP4B and power supply/charger	10.75"H x 8.875"W x 2.375"D
NetWaySP4WPN	Outdoor NEMA4/4X Rated Enclosure includes NetWaySP4B	13.31"H x 11.31"W x 5.59"D
NetWaySP4WP	Outdoor NEMA4/4X Rated Enclosure includes NetWaySP4PL	13.31"H x 11.31"W x 5.59"D
NetWaySP4WPX	Larger outdoor NEMA4/4X Rated Enclosure includes NetWaySP4B and power supply/charger accommodates four (4) 12VDC/4AH batteries (48V of backup).	17.375"H x 12"W x 6.5"D
NetWaySP4X	Indoor NEMA1 Rated Enclosure includes NetWaySP4B and power supply/charger	13.5"H x 13"W x 3.25"D

8-Port Managed PoE Hardened Switches with Dual SFP (Fiber) Ports

Features:

- Two (2) Gigabit SFP ports (uplink).
- Eight (8) ports up to 30W. Two (2) ports can be up to 60W (two (2) 10/100/1000 ports and six (6) 10/100 ports).
- Supports PoE (802.3af), PoE+ (802.3at) and Hi-PoE devices.
- Input: 48-56VDC.
- Units can be deployed with single or multi-mode fiber or composite cable which combines fiber with copper to simultaneously deliver power and data.



- Control, monitor and report power/diagnostics from anywhere over the network.



Units with Power Supply/Charger:

- 115VAC/230VAC input.
- 115W max output.
- Built-in battery charger.
- Integral surge protection.
- UL Listed in the U.S. and Canada, CE Approved.

Model #	Configuration	Dimensions
NetWaySP8B	Ethernet to Fiber Hardened PoE 8-Port Switch (board only)	5.6"L x 4.5"W x 0.625"H
NetWaySP8PL	Backplane includes NetWaySP8B and power supply/charger	10.75"H x 8.875"W x 2.375"D
NetWaySP8WPN	Outdoor NEMA4/4X Rated Enclosure includes NetWaySP8B	13.31"H x 11.31"W x 5.59"D
NetWaySP8WP	Outdoor NEMA4/4X Rated Enclosure includes NetWaySP8PL	13.31"H x 11.31"W x 5.59"D
NetWaySP8WPX	Larger outdoor NEMA4/4X Rated Enclosure includes NetWaySP8B and power supply/charger accommodates four (4) 12VDC/4AH batteries (48V of backup).	17.375"H x 12"W x 6.5"D
NetWaySP8X	Indoor NEMA1 Rated Enclosure includes NetWaySP8B and power supply/charger	13.5"H x 13"W x 3.25"D

UL Listed Multi-Output Power for all outdoor applications.

Features:

- Provides outdoor power for surveillance and security devices.
- Individual power LED indicators.
- 115/230VAC input.
- IP66, NEMA4/4X Rated outdoor enclosure with stainless steel lockable latches.
- Integral flanges and lightweight design simplify mounting.
- UL Listed in the U.S. and Canada for Information Technology Equipment and Equipment Installed Outdoors. CE Approved.



Pole Mount Kit

PMK1

- Outdoor pole mount kit.
- Designed to simplify installation of any Altronix outdoor rated power supplies and accessories housed in WP1, WP2, WP3 and WP4 NEMA rated enclosures.
- Accommodates 2" - 8" (diameter) pole or up to 5" square pole.
- Kit includes: two (2) powder coated steel mounting brackets, two (2) wormgear quick release straps, four (4) stainless steel bolts and lock washers.



Two (2) Fused Output Models

Altronix Model	Outputs/Voltage	Output Power
WayPoint10AU	2 @ 24VAC	4A
	2 @ 28VAC	3.5A
	24VAC and 28VAC	3.5A
WayPoint17AU	2 @ 24VAC	7.25A
	2 @ 28VAC	6.25A
	24VAC and 28VAC	6.25A

Four (4) Fused Output Models

Altronix Model	Outputs/Voltage	Output Power
WayPoint17A4U	4 @ 24VAC	7.25A
	4 @ 28VAC	6.25A
WayPoint30A4U	4 @ 24VAC	12.5A
	4 @ 28VAC	10A

Eight (8) Fused Output Models

Altronix Model	Outputs/Voltage	Output Power
WayPoint30A8U	8 @ 24VAC	12.5A
	8 @ 28VAC	10A



network communication

Upgrade, control and communicate with virtually any low voltage AC or DC power supply over the network.

Features:

- Provides local and/or remote access to critical information via LAN/WAN.
- Input and output voltage and current monitoring
- Real time battery health monitoring
- High temperature monitoring
- ...and more!
- Email and Windows Dashboard Alert notifications report real-time diagnostics.
- Control power output(s) locally or remotely.
- Event log tracks history.
- Secure Socket Layer (SSL).
- Programmable via USB or web browser.
- Reduces system downtime, eliminates service calls and creates RMR opportunities.
- Includes operating software and 6ft. USB cable.

Network Power Distribution Module



LINQ8PD

- Facilitates monitoring, reporting and control of one (1) or two (2) AC or supervised DC power supply/chargers.
- Retrofits with most currently installed multi-output power supply/chargers.
- Output voltage is individually selectable for each of the eight (8) outputs when utilizing two (2) power supplies.
- Battery backup is selectable by output.

LINQ8PDCB

- LINQ8PD with PTC protected outputs.

Control, Monitor and Report Power/Diagnostics from anywhere over the network.

Features:

- Provides local and/or remote control and critical information via LAN/WAN for all eFlow power supply/chargers (*eFlow, Maximal-F series and Trove systems*).
- DC output voltage and current monitoring
- Real time AC and battery status
- Unit temperature monitoring
- Email and Windows Dashboard Alert notifications report real-time diagnostics.
- Two (2) integral network controlled Form "C" relays may be used for myriad applications.
- Event log tracks history.
- Secure Socket Layer (SSL).
- Programmable via USB or web browser.
- Reduces system downtime, eliminates service calls and creates RMR opportunities.
- Includes operating software and 6ft. USB cable.
- UL Listed in the U.S. and Canada, CE Approved.

Network Communication Module



LINQ2

- Monitor and control power while reporting system diagnostics via Email notifications for two (2) Altronix eFlow power supply/chargers (*eFlow, Maximal-F Series & Trove systems*).

Communicate with your Security, Access and Fire power.

Features:

Coupled with our LINQ2 Network Communication Module you can control, monitor and report power from anywhere...

- Wide range of power configurations with single or multiple outputs.
- Built-in fire alarm disconnect.
- Over voltage protection - guards against equipment damage.
- 30-50% faster battery charging.
- Low power cutoff - protects stand-by batteries from deep discharge.
- All models include additional aux. Class 2 Rated power-limited output rated @ 1 amp.
- AC fail, low battery and battery presence supervision.
- Power LED visible on the enclosure door.
- Enclosure accommodates up to two (2) 12VDC/7AH batteries.
- Includes cam lock and battery leads.
- UL Listed in the U.S. and Canada, CE Approved.



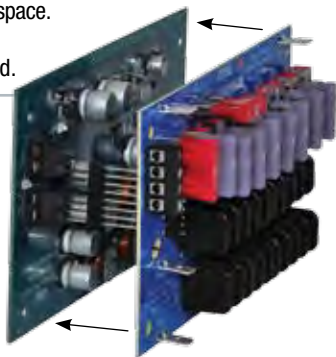
Altronix Model	Fuse Protected Outputs*	Output Voltage	Output Current (max)
eFlow3N	1	12VDC or 24VDC	2A
eFlow3N4	4		
eFlow4N	1	12VDC or 24VDC	4A
eFlow4N8	8		
eFlow6N	1	12VDC or 24VDC	6A
eFlow6N8	8		
eFlow6N16	16		
eFlow102N	1	12VDC	10A
eFlow102N8	8		
eFlow102N16	16		
eFlow104N	1	24VDC	10A
eFlow104N8	8		
eFlow104N16	16		

*PTC Protected power-limited output models are available.

VR6 & PDS8 easily snap together to provide 5VDC or 12VDC and 24VDC simultaneously – individually selectable over each of the 8 outputs... all on one footprint!

Features:

- VR6 reduces the cost of adding another power supply.
- PDS8 is designed to piggyback onto the VR6 making an instant plug-in connection via common standoffs.
- Stackable mounting configuration saves valuable enclosure space.
- UL Listed in the U.S. and Canada, CE Approved.



Voltage Regulator

VR6

- Converts a 24VDC input into a regulated 5VDC or 12VDC output.
- Input: 24VDC @ 1.75A – Output: 5VDC @ 6A
- Input: 24VDC @ 3.5A – Output: 12VDC @ 6A
- Surge suppression.



Dual Input Power Distribution Module

PDS8

- Any of the eight (8) fuse protected power outputs are selectable to follow power input 1 or input 2.
- 5VDC to 24VDC up to 10A or 16VAC to 28VAC up to 10A.
- Individual outputs may be set to OFF position for servicing.
- Multiple units may be daisy-chained to accommodate larger systems.



PDS8CB

- PDS8 with PTC protected outputs.

VR6 & ACMS8 easily snap together to provide 12VDC and 24VDC simultaneously – individually selectable over each of the 8 outputs... all on one footprint!

Features:

- Reduces the cost of adding another power supply.
- Stackable mounting configuration saves valuable enclosure space.
- ACMS8 is designed to plug onto the VR6 making an instant connection via common standoffs.
- Reduces number of batteries required for overall system backup.
- Selectable voltage allows for wider range of lock options.
- Easily daisy chain multiple ACMS8's to accommodate larger systems.

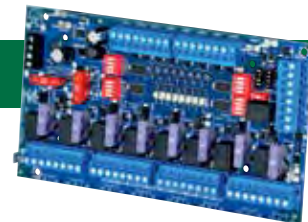
Dual Input Access Power Controller

ACMS8

- Eight (8) Access Control System trigger inputs:
 - a) Eight (8) normally open (NO) inputs.
 - b) Eight (8) normally closed (NC) inputs.
 - c) Eight (8) open collector sink inputs.
 - d) Any combination of the above.
- Eight (8) selectable 12VDC or 24VDC independently controlled outputs.
- Output options:
 - a) Eight (8) Fail-Safe and/or Fail-Secure power outputs;
 - b) Eight (8) relays (type to be determined, i.e. solid state, removable, etc.)
 - c) Any combination of the above.
- Outputs are selectable to follow power input 1 or input 2.
- Eight (8) auxiliary power outputs (unswitched).
- Fire Alarm disconnect (latching or non-latching) is individually selectable for any or all of the eight (8) outputs.
- Fire Alarm disconnect input options:
 - a) Supervised Normally open (NO) or normally closed (NC) dry contact input
 - b) Polarity reversal input from FACP signaling circuit.

ACMS8CB

- ACMS8 with PTC protected outputs.



Customized NAC power and notification

Features:

- Power outputs are programmable as:
 - 8 Class B NAC outputs
 - 4 Class A NAC outputs
 - Aux. power outputs (with or without battery backup)
 - Any combination of the above
- EOL resistor values are programmable by output, saving time and labor costs.
- LCD display provides status monitoring.
- Ethernet port facilitates local programming and remote status monitoring.
- Temporal Code 3, Steady Mode, Input to Output Follower Mode.
- Temporal Code 4 for system CO alarms.
- Signal circuit trouble memory - quickly locates intermittent system trouble and eliminates costly and unnecessary service calls.
- Synchronize up to twelve (12) FireSwitch108 units.
- Compatible with 12VDC or 24VDC fire panels.
- Built-in Cooper®, Gentex®, Potter® and System Sensor® sync protocols.
- Input to output follower mode.
- Enclosure accommodates up to (2) 12VDC/12AH batteries.
- Includes cam lock and battery leads.
- UL Listed in the U.S. and Canada for Fire.

NAC Power Extender

FireSwitch108

- 24VDC regulated power-limited NAC outputs.
- 10A max.
- 2.5A max. current per output.
- One (1) dedicated aux. output with battery backup rated at 1 amp.
- Two (2) configurable inputs trigger via Class A or Class B signal circuits (polarity reversal) or dry contacts.



Customize your access control with the industry's leading manufacturers.

Features:

- Trove™ enclosures let you easily combine Altronix power with access controllers and accessories from the industry's leading manufacturers: AMAG, Bosch, CDVI, DMP, Honeywell, Keyscan, Mercury, Sielox, Software House and HID/VertX.

Coming Soon - Kantech.

- Removable backplanes allow you to configure and pretest prior to on-site installation.
- Simplifies board layout and wire management.
- Reduces installation time and labor costs.
- Convenient knockout configuration.
- Accommodates up to four (4) 12VDC/12AH batteries.
- Includes cam lock, tamper switch and mounting hardware.
- UL Listed in the U.S. and Canada.

Enclosure Dimensions:

25.375"H x 19.375"W x 0.5"D

Backplane Dimensions:

27.25"H x 21.5"W x 6.5"D



* Boards not included

For up to 12 door Mercury access systems

Altronix®

Trove2M2

Enclosure + Backplane

- Accommodates the following Mercury boards with or without Altronix power/accessories:
 - EP1502, MR52, MR16IN, MR16OUT, EP2500 or MUX8, EP1501, MR51e or MR50
 - Altronix Power Supplies and Sub-Assemblies
- Includes Altronix Trove2 Enclosure and one (1) removable TM2 backplane.

TM2 Backplane

- Accommodates Mercury boards with or without Altronix power/accessories
- Fits Altronix Trove2 enclosure.

TMV2 (optional) Door Backplane

- Accommodates Mercury Boards for an additional 12 doors (up to 24 door system).
Door Backplane Dimensions: 23.75"H x 18"W x 0.5"D



For up to 12 door HID access systems

Altronix®

Trove2V2

Enclosure + Backplane

- Accommodates the following HID/VertX® boards with or without Altronix power/accessories:
 - V100, V200, V300, V1000 or V2000
 - Altronix Power Supplies and Sub-Assemblies
- Fits Altronix Trove2 enclosure.
- Includes Altronix Trove2 Enclosure and one (1) removable TV2 backplane.

TV2 Backplane

- Accommodates HID/VertX® boards with or without Altronix power/accessories.
- Fits Altronix Trove2 enclosure.

TMV2 (optional) Door Backplane

- Accommodates HID/VertX® Boards for an additional 12 doors (up to 24 door system).
Door Backplane Dimensions: 23.75"H x 18"W x 0.5"D



* Boards not included

For up to 12 door AMAG access systems

Altronix®

Trove2AM2 Enclosure + Backplane

- Accommodates the following AMAG boards with or without Altronix power/accessories
 - M2150-2DC, M2150-4DC, M2150-AC24/4, M2150-2DBC, M2150-4DBC or M2150-8DBC
 - Altronix Power Supplies and Sub-Assemblies
- Includes Altronix Trove2 Enclosure and one (1) removable TAM2 backplane

TAM2 Backplane

- Accommodates AMAG boards with or without Altronix power/accessories.
- Fits Altronix Trove2 enclosure.



Altronix®

Trove2BH2 Enclosure + Backplane

- Accommodates the following Bosch boards with or without Altronix power/accessories
 - B520, B208, B308, B901, B8512G, B9512G and D8128
 - Altronix Power Supplies and Sub-Assemblies
- Includes Altronix Trove2 Enclosure and one (1) removable TBH2 backplane

TBH2 Backplane

- Accommodates Bosch boards with or without Altronix power/accessories.
- Fits Altronix Trove2 enclosure.



BOSCH

All registered trademarks are property of their respective owners.

For up to 10 door CDVI access systems

Altronix®

Trove2CV2

Enclosure + Backplane

- Accommodates the following CDVI boards with or without Altronix power/accessories:
 - A22
 - Altronix Power Supplies and Sub-Assemblies
- Includes Altronix Trove2 Enclosure and one (1) removable TCV2 backplane

TCV2

Backplane

- Accommodates CDVI boards with or without Altronix power/accessories
- Fits Altronix Trove2 enclosure.



* Boards not included

For up to 16 door DMP access systems

Altronix®

Trove2DM2

Enclosure + Backplane

- Accommodates the following DMP modules with or without Altronix power/accessories
 - 734
 - Altronix Power Supplies and Sub-Assemblies
- Includes Altronix Trove2 Enclosure and one (1) removable TDM2 backplane

TDM2

Backplane

- Accommodates DMP modules with or without Altronix power/accessories.
- Fits Altronix Trove2 enclosure.



For up to 8 door Keyscan access systems

Altronix®

**Trove2KA2
Enclosure + Backplane**

- Accommodates the following Keyscan boards with or without Altronix power/accessories:
 - OCB8, 250B, 4500B, 8500B, CIM or DPS15
 - Altronix Power Supplies and Sub-Assemblies
 - Altronix T16100 Transformer
- Includes Altronix Trove2 Enclosure and one (1) removable TKA2 backplane.

**TKA2
Backplane**

- Accommodates Keyscan boards with or without Altronix power/accessories
- Fits Altronix Trove2 enclosure.


KEYSCAN
ACCESS CONTROL SYSTEMS
For up to 16 door Software House access systems

Altronix®

**Trove2SH2
Enclosure + Backplane**

- Accommodates the following Software House boards with or without Altronix power/accessories:
 - iStar Ultra GCM or iStar Ultra ACM
 - Altronix Power Supplies and Sub-Assemblies
- Includes Altronix Trove2 Enclosure and one (1) removable TSH2 backplane.

**TSH2
Backplane**

- Accommodates Software House boards with or without Altronix power/accessories
- Fits Altronix Trove2 enclosure.



SOFTWARE HOUSE

* Boards not included

For up to 8 door Honeywell access systems

Altronix®

Trove2HW2 Enclosure + Backplane

- Accommodates the following Honeywell boards with or without Altronix power/accessories:
 - PRO32IC, PRO32R2, PRO32IN, PRO32OUT, PW51KEN, PW6K1IC, PW6K1IN, PW6K1OUT, PW6K1R2, PW6K1ICE and PW6K1R1E
 - Altronix Power Supplies and Sub-Assemblies
- Includes Altronix Trove2 Enclosure and one (1) removable THW2 backplane.

THW2 Backplane

- Accommodates Honeywell boards with or without Altronix power/accessories
- Fits Altronix Trove2 enclosure.

Honeywell
THE POWER OF CONNECTED



* Boards not included

For up to 16 door Sielox access systems

Altronix®

Trove2SL2 Enclosure + Backplane

- Accommodates the following Sielox boards with or without Altronix power/accessories:
 - AC-1700
 - Altronix Power Supplies and Sub-Assemblies
- Includes Altronix Trove2 Enclosure and one (1) removable TSL2 backplane.

TSL2 Backplane

- Accommodates Sielox boards with or without Altronix power/accessories
- Fits Altronix Trove2 enclosure.

Sielox



* Boards not included

All registered trademarks are property of their respective owners.

New Trove Kits Now Include Altronix Power/Accessories Supporting Mercury Access.

Features:

- Trove2M2 enclosure/backplane with pre-installed Altronix Power Supplies/Accessories - Dimensions: 27.25"H x 21.5"W x 6.5"D
- Includes tamper switch, cam lock and hardware.
- Accommodates the following Mercury boards:
 - EP1502, MR52, MR16IN, MR16OUT, EP2500 or MUX8, EP1501, MR51e or MR50

For up to 4 door Mercury access systems

T2MK3F4

Factory Installed Kits

- Include:
 - (1) eFlow6NB - Power Supply/Charger
 - (1) ACM4 - Access Power Controller
 - (1) VR6 - Voltage Regulator
 - (1) PDS8 - Dual Input Power Dist. Module

T2MK3F4Q

- Same as T2MK3F4 with LINQ2 Network Communication Module

T2MK3F4D

- Same as T2MK3F4 with PTC protected outputs

T2MK3F4DQ

- Same as T2MK3F4D with LINQ2 Network Communication Module

For up to 8 door Mercury access systems

T2MK3F8

Factory Installed Kits

- Include:
 - (1) eFlow6NB - Power Supply/Charger
 - (1) ACM8 - Access Power Controller
 - (1) VR6 - Voltage Regulator
 - (1) PDS8 - Dual Input Power Dist. Module

T2MK3F8Q

- Same as T2MK3F8 with LINQ2 Network Communication Module

T2MK3F8D

- Same as T2MK3F8 with PTC protected outputs

T2MK3F8DQ

- Same as T2MK3F8D with LINQ2 Network Communication Module



* Mercury boards not included





Features:

- Trove2M2 enclosure/backplane with pre-installed Altronix Power Supplies/Accessories - Dimensions: 27.25"H x 21.5"W x 6.5"D
 - Includes tamper switch, cam lock and hardware.
- Accommodates the following Mercury boards:
 - EP1502, MR52, MR16IN, MR16OUT, EP2500 or MUX8, EP1501, MR51e or MR50

For up to 8 door Mercury access systems

T2MK7F8

Factory Installed Kits

- Include:
 - (1) eFlow104NB - Power Supply/Charger
 - (1) ACM8 - Access Power Controller
 - (1) VR6 - Voltage Regulator
 - (1) PDS8 - Dual Input Power Dist. Module

T2MK7F8Q

- Same as T2MK7F8 with LINQ2 Network Communication Module

T2MK7F8D

- Same as T2MK7F8 with PTC protected outputs

T2MK7F8DQ

- Same as T2MK7F8D with LINQ2 Network Communication Module

For up to 16 door Mercury access systems

T2MK77F16

Factory Installed Kits

- Include:
 - (2) eFlow104NB - Power Supply/Chargers
 - (2) ACM8 - Access Power Controllers
 - (1) VR6 - Voltage Regulator
 - (1) PDS8 - Dual Input Power Dist. Module

T2MK77F16Q

- Same as T2MK77F16 with LINQ2 Network Communication Module

T2MK77F16D

- Same as T2MK77F16 with PTC protected outputs

T2MK77F16DQ

- Same as T2MK77F16D with LINQ2 Network Communication Module

All registered trademarks are property of their respective owners.

New Trove Kits Now Include Altronix Power/Accessories Supporting Keyscan Access.

Features:

- Trove2KA2 enclosure/backplane with pre-installed Altronix Power Supplies/Accessories - Dimensions: 27.25"H x 21.5"W x 6.5"D
- Includes tamper switch and cam lock.
- Accommodates the following Keyscan boards:
 - OCB8, 250B, 4500B, 8500B, CIM or DPS15

For up to 8 door Keyscan access systems

T2KK3F8

Factory Installed Kits

- Include:
 - (1) eFlow6NB - Power Supply/Charger
 - (1) ACM8 - Access Power Controller
 - (1) T16100 - Transformer

T2KK3F8Q

- Same as T2KK3F8 with LINQ2 Network Communication Module

T2KK3F8D

- Same as T2KK3F8 with PTC protected outputs

T2KK3F8DQ

- Same as T2KK3F8D with LINQ2 Network Communication Module



** Keyscan boards not included*

KEYSCAN
ACCESS CONTROL SYSTEMS

All registered trademarks are property of their respective owners.

Our space-saving version of Trove...for up to 8 door access systems.

Features:

- Trove™ enclosures let you easily integrate Altronix power with access controllers and accessories from the industry's leading manufacturers.
- Removable backplanes allow you to configure and pretest prior to on-site installation.
- Simplifies board layout and wire management.
- Reduces installation time and labor costs.
- Convenient knockout configuration.

- Accommodates up to two (2) 12VDC/7AH batteries.
- Includes cam lock, tamper switch and mounting hardware.
- UL Listed in the U.S. and Canada

Enclosure Dimensions:
18"H x 14.5"W x 4.625"D

Backplane Dimensions:
16.625"H x 12.5"W x 0.5"D



Altronix®

Trove1M1

Enclosure + Backplane

- Accommodates the following Mercury boards with or without Altronix power/accessories:
 - EP1502, MR52, MR16IN, MR16OUT, MR50 or MR51e
 - Altronix Power Supplies and Sub-Assemblies
- Includes Altronix Trove1 Enclosure and one (1) removable TM1 backplane for Mercury/Altronix boards

Altronix®

TM1 Backplane



- Accommodates Mercury boards with or without Altronix power/accessories
- Fits Altronix Trove1 enclosure.

* Boards not included

For up to 8 door HID access systems

**Altronix®
Trove1V1**

Enclosure + Backplane

- Accommodates the following HID/VertX® boards with or without Altronix power/accessories:
 - V100, V200, V300, V1000 or V2000
 - Altronix Power Supplies and Sub-Assemblies
- Includes Altronix Trove1 Enclosure and one (1) removable TV1 backplane for HID/Altronix boards



* Boards not included

**TV1
Backplane**

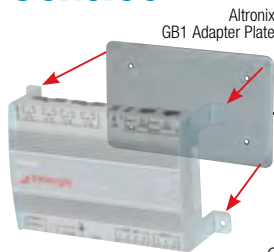
- Accommodates HID/VertX® boards with or without Altronix power/accessories
- Fits Altronix Trove1 enclosure.

GB1

**Altronix Adapter Plate for
Genetec Synergis Cloud Link**

- Facilitates mounting the Genetec Synergis Cloud Link to Trove Series HID/VertX or Mercury backplanes.
 - Conveniently mounts to Altronix enclosures that accommodate Power Distribution Modules
 - Accommodates one (1) Genetec Synergis Cloud Link
 - 16 AWG steel
 - Mounting hardware included
- Dimensions:
7.0"L x 4.1875"W x 0.375"H

**Altronix TM2
backplane**



* Boards not included



Cloud Link mounted on Altronix GB1 mounted to TM2 backplane

For 8 door DMP access systems

Altronix®

Trove1DM1

Enclosure + Backplane

- Accommodates the following DMP® modules with or without Altronix power/accessories:

- 734
- Altronix Power Supplies and Sub-Assemblies

- Includes Altronix Trove1 Enclosure and one (1) removable TDM1 backplane for DMP modules

TDM1 Backplane

- Accommodates DMP® boards with or without Altronix power/accessories
- Fits Altronix Trove1 enclosure.



For 8 door CDVI access systems

Altronix®

Trove1C1

Enclosure + Backplane

- Accommodates the following CDVI boards with or without Altronix power/accessories:

- A22
- Altronix Power Supplies and Sub-Assemblies

- Includes Altronix Trove1 Enclosure and one (1) removable TC1 backplane for CDVI/Altronix boards.

TC1 Backplane

- Accommodates CDVI boards with or without Altronix power/accessories
- Fits Altronix Trove1 enclosure.



NAC
power

advanced
power supply/chargers

control
monitor
& report

remote
management



Altronix[®]

**Designed & Manufactured in the U.S.A.
& Backed by a Lifetime Warranty**

info@altronix.com / 718.567.8181